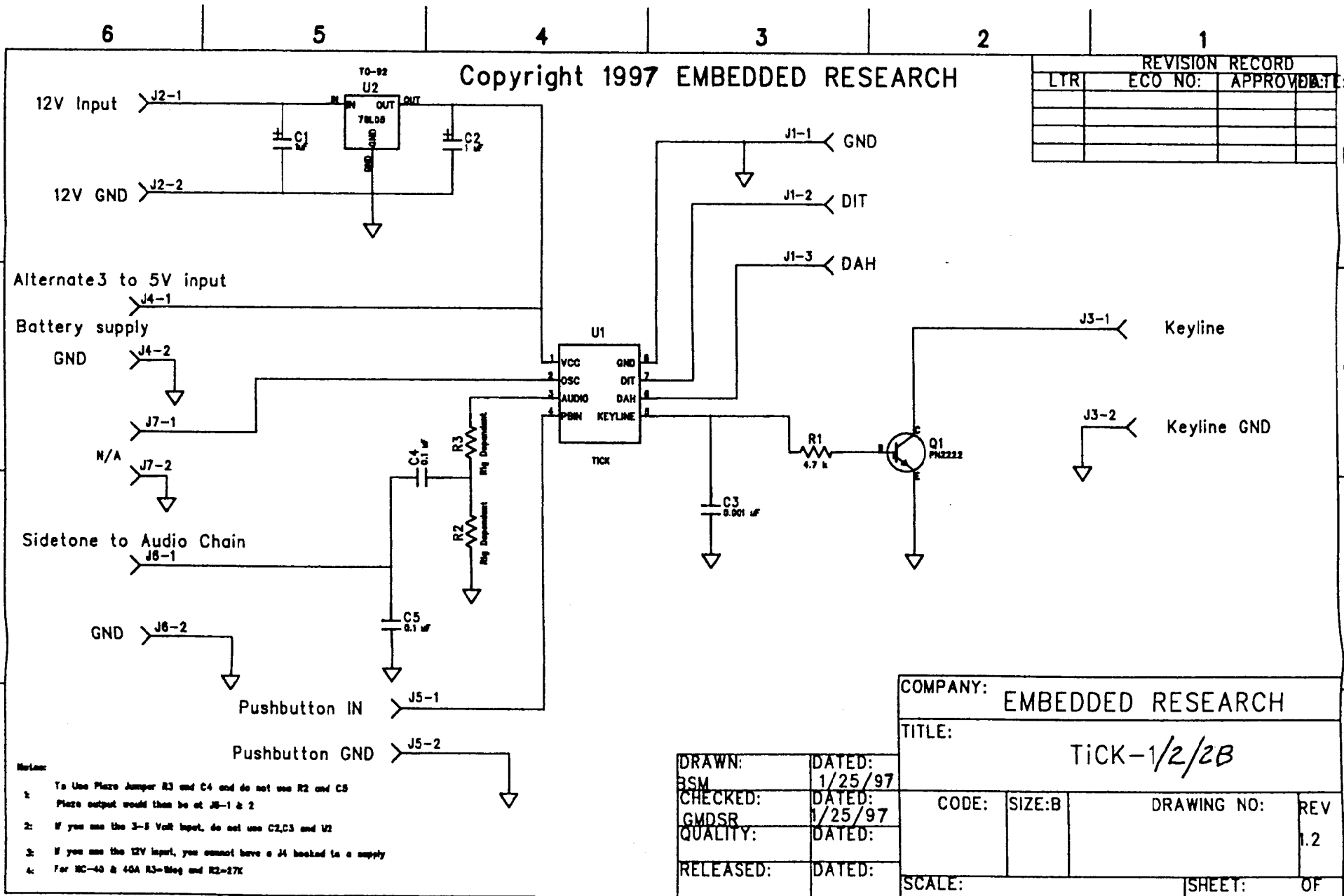


Copyright 1997 EMBEDDED RESEARCH

REVISION RECORD			
LTR	ECO NO:	APPROVED:	DATE:



- Notes:
- To Use Place Jumper R3 and C4 and do not use R2 and C5  
Place output would then be at J6-1 & 2
  - If you use the 3-5 Volt input, do not use C2,C3 and U2
  - If you use the 12V input, you cannot have a J4 hooked to a supply
  - For MC-40 & 40A RJ-Mag and R2-27K

DRAWN: BSM	DATED: 1/25/97
CHECKED: GMSR	DATED: 1/25/97
QUALITY:	DATED:
RELEASED:	DATED:

COMPANY: EMBEDDED RESEARCH			
TITLE: TICK-1/2/2B			
CODE:	SIZE: B	DRAWING NO:	REV 1.2
SCALE:	SHEET:		OF